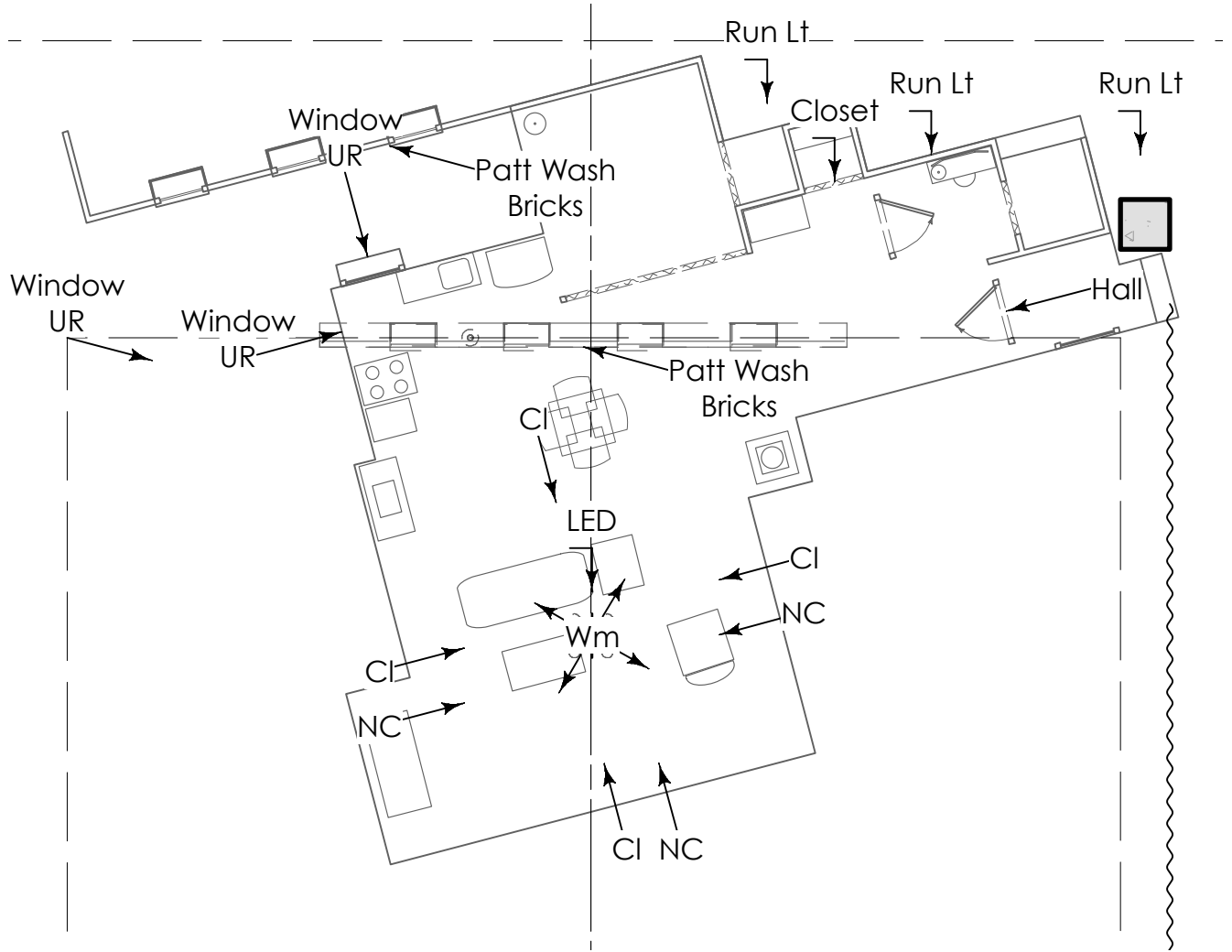
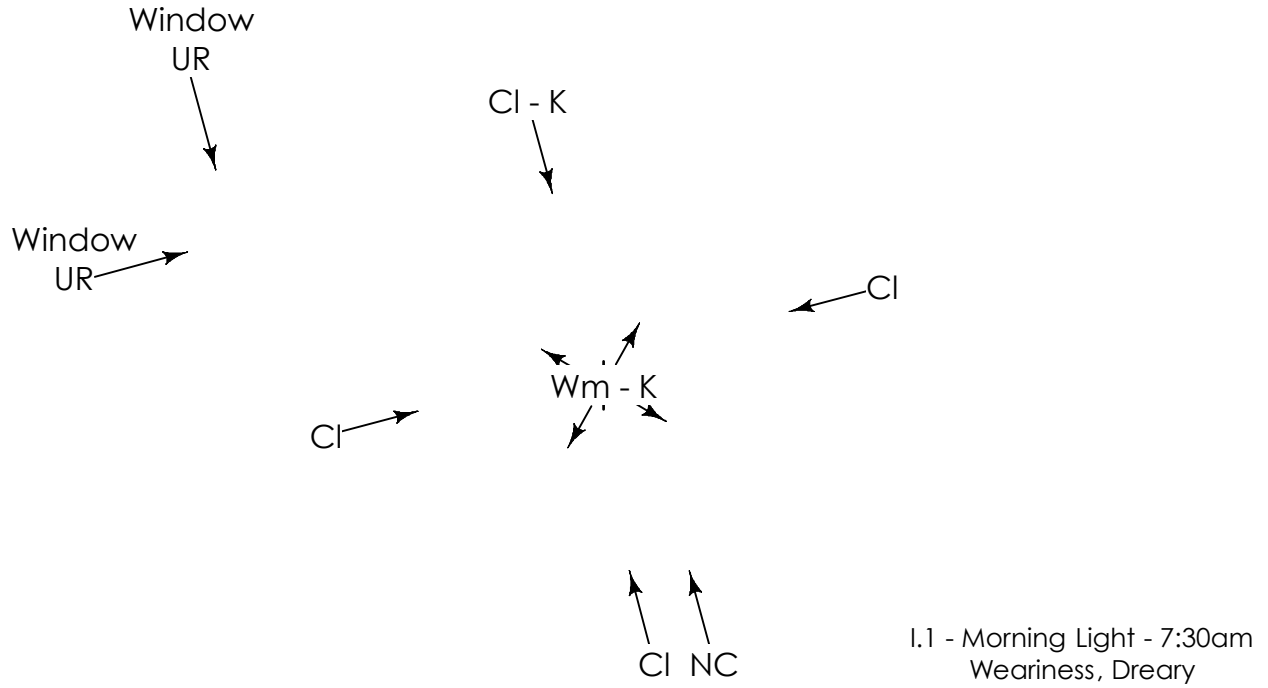


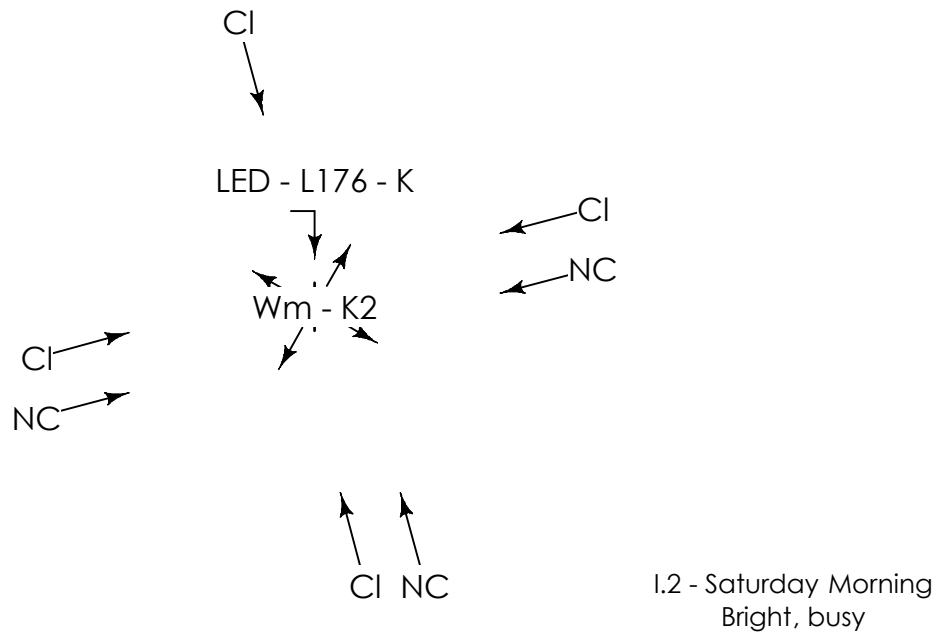
A Raisin in the Sun



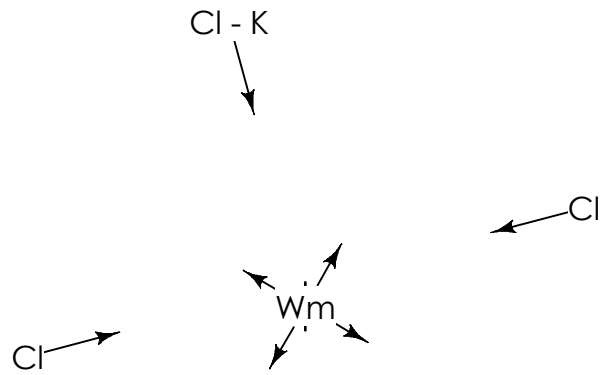
A Raisin in the Sun



A Raisin in the Sun

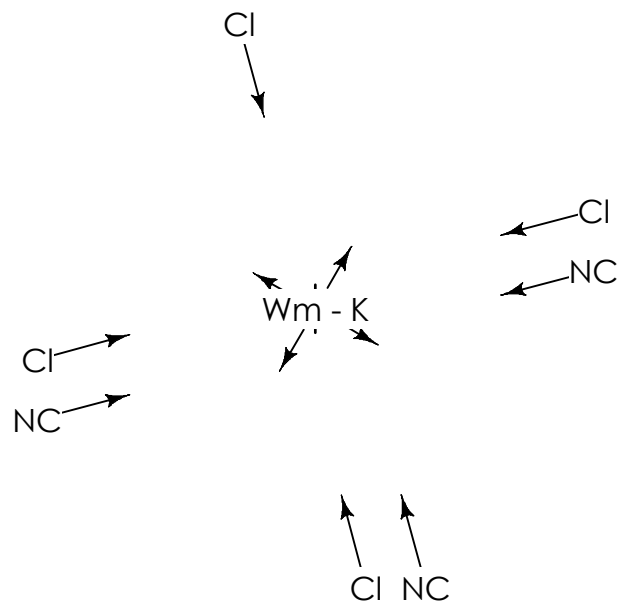


A Raisin in the Sun



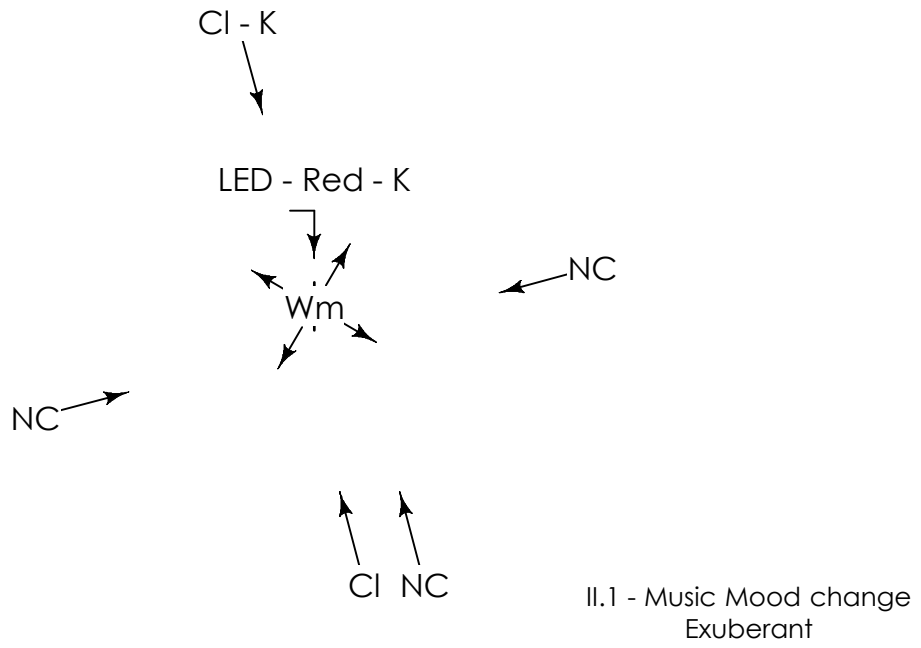
I.2 - Saturday, Morning
Mood change - starker

A Raisin in the Sun

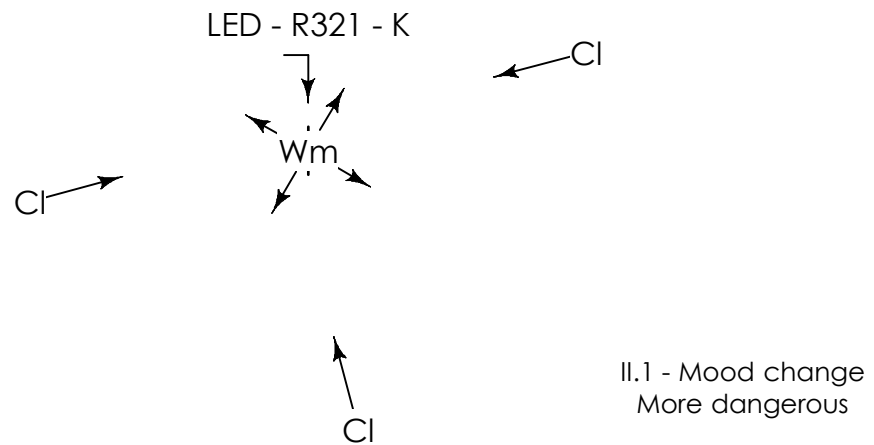


II.1 - Saturday - Later
Apartment general light

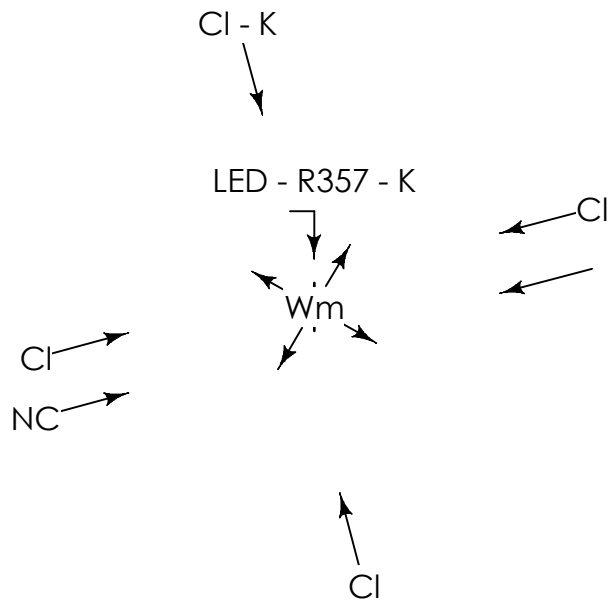
A Raisin in the Sun



A Raisin in the Sun

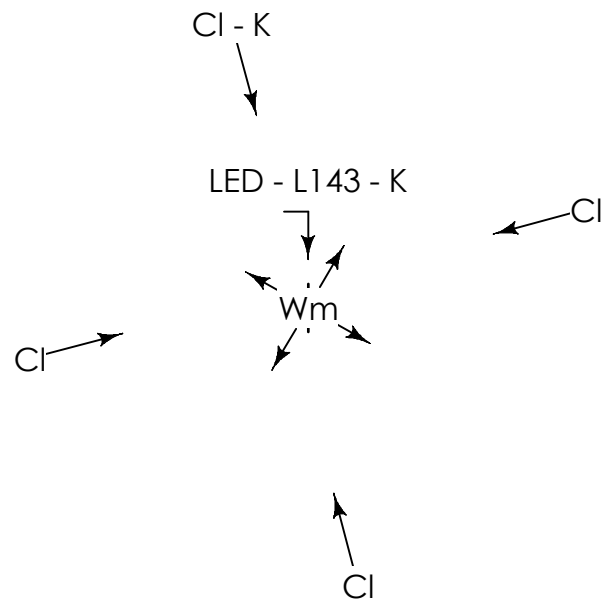


A Raisin in the Sun



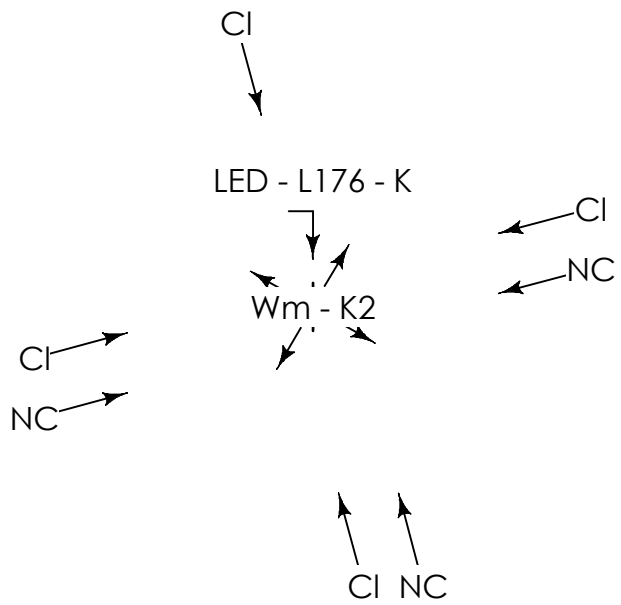
II.2 - Friday Night
Beginning and End of act
Steamy

A Raisin in the Sun



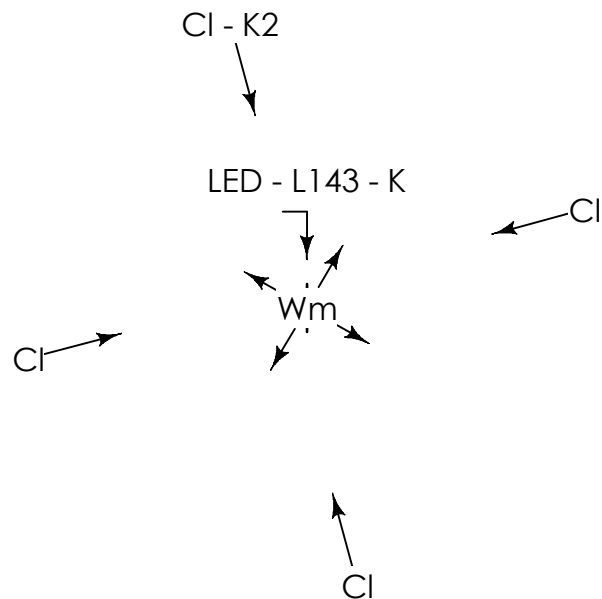
II.2 - Mood change
Mrs. Arnold's phone call

A Raisin in the Sun



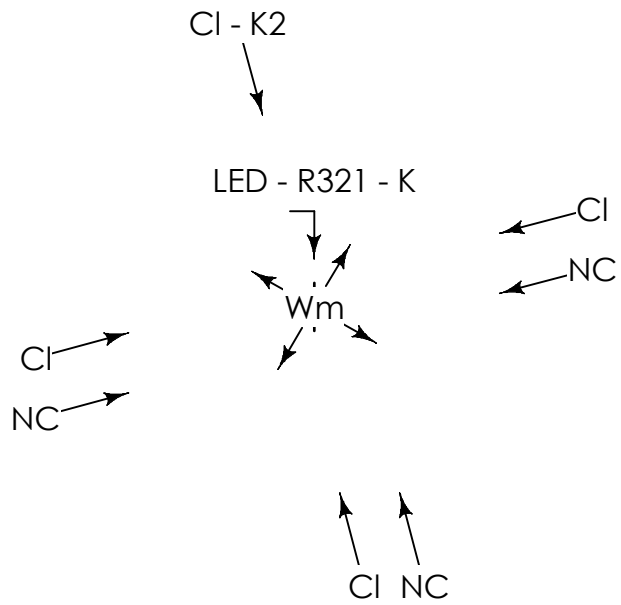
II.3 - Saturday - Moving Day
Happy, bright

A Raisin in the Sun



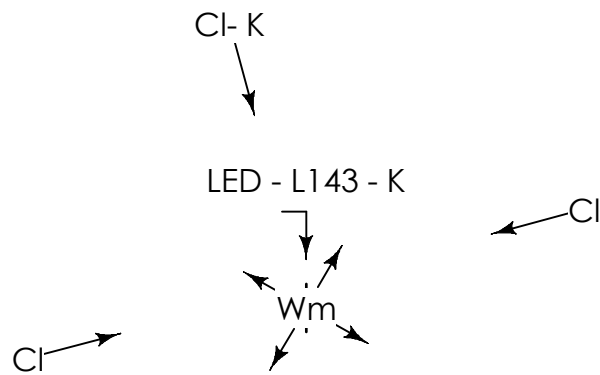
II.3 - Saturday
Lindner's visit - starker

A Raisin in the Sun



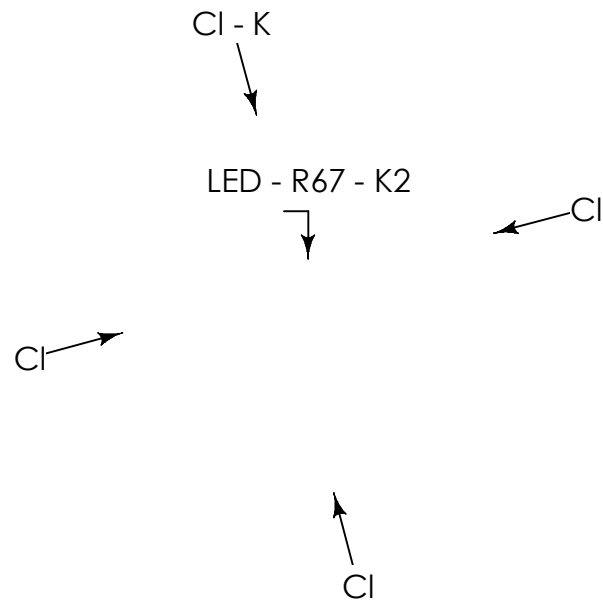
II.3 - Moving day
Excitement

A Raisin in the Sun



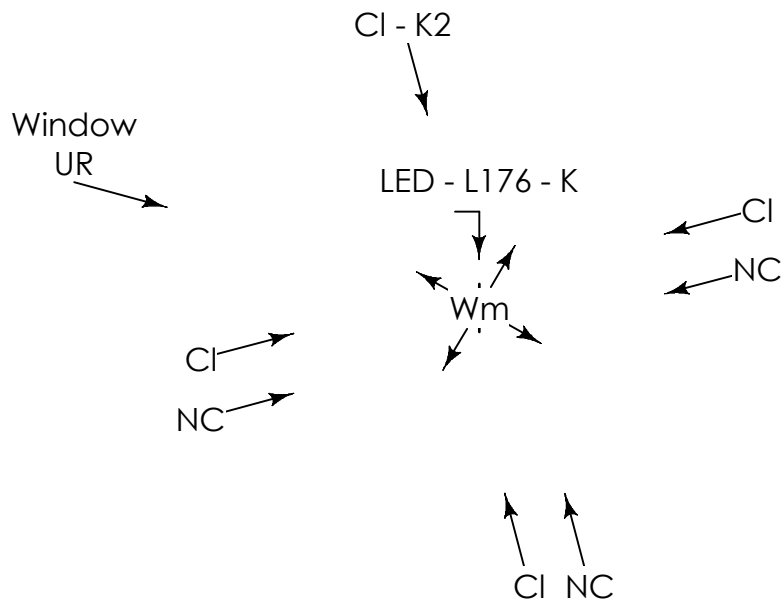
II.3 - Bobo's news
most stark moment in play

A Raisin in the Sun



III.1 - Later Saturday
Sullen

A Raisin in the Sun



III.1 - Later
Moving after all