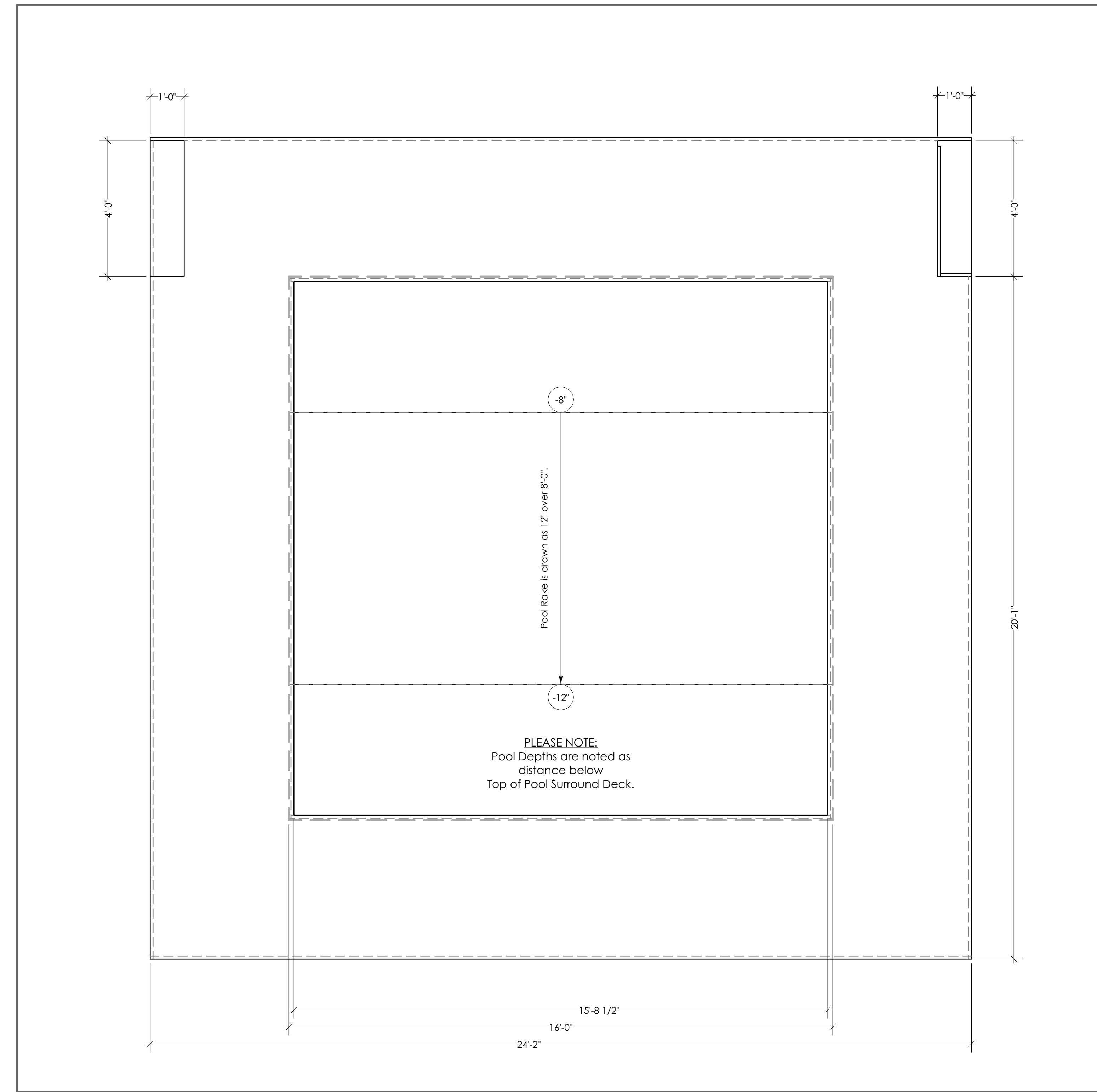
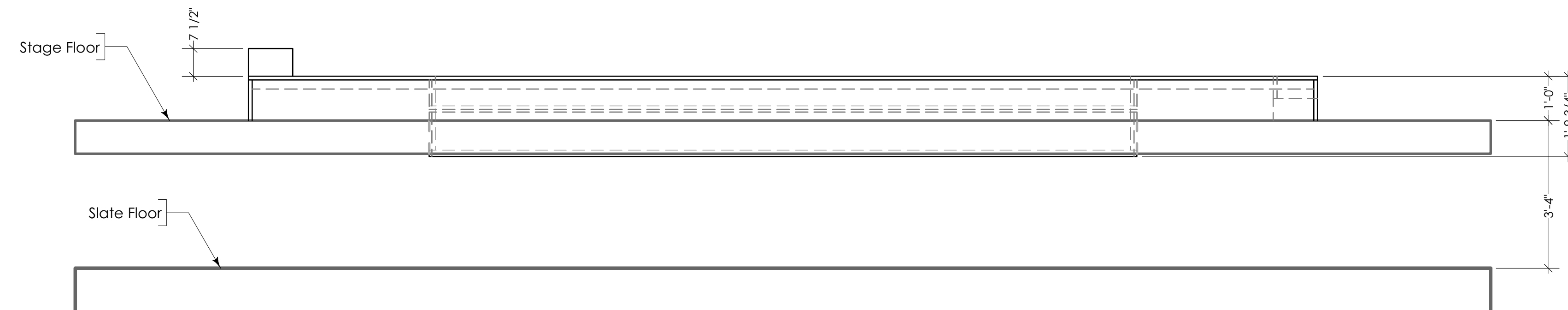


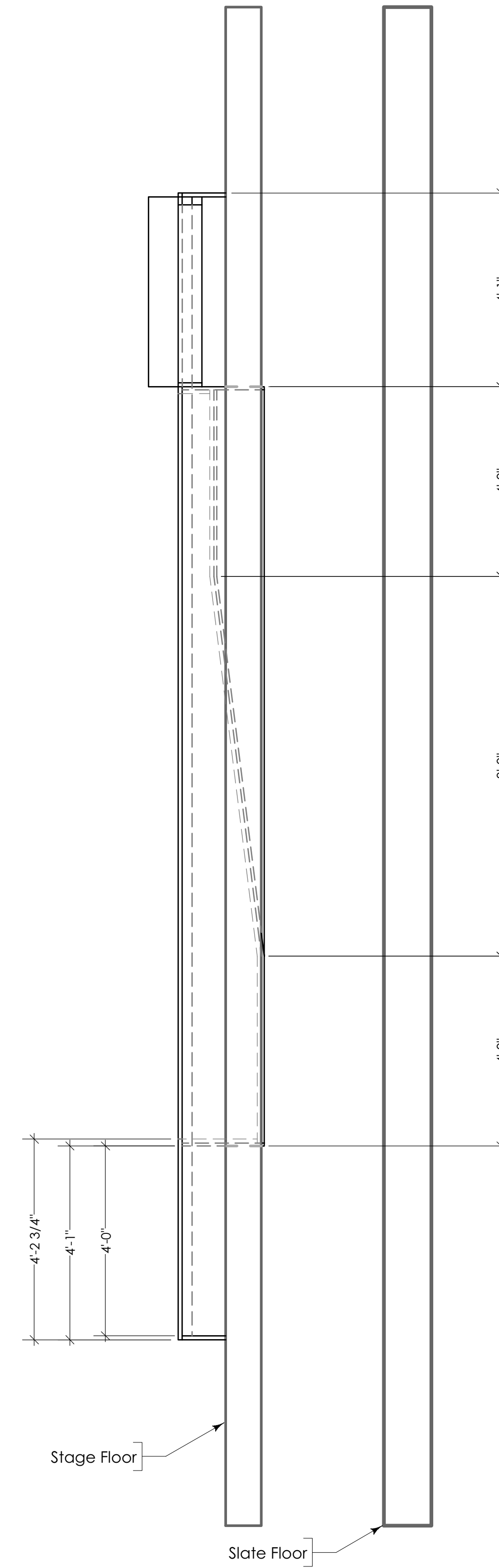
Seats: 202



1 Deck Plan



2 Deck Frt Elev



3 Deck Front Elev

NOTES:

- Surround is drawn as triscuit platforms with 1" foam as finished top surface and facings. Structure behind facings is not drawn.
- Pool is drawn with 3/4" plywood serving as structural bottom and sides and 1" foam lining bottom and sides as a cushion.
- Details for both Surround and Pool are on Page 3.

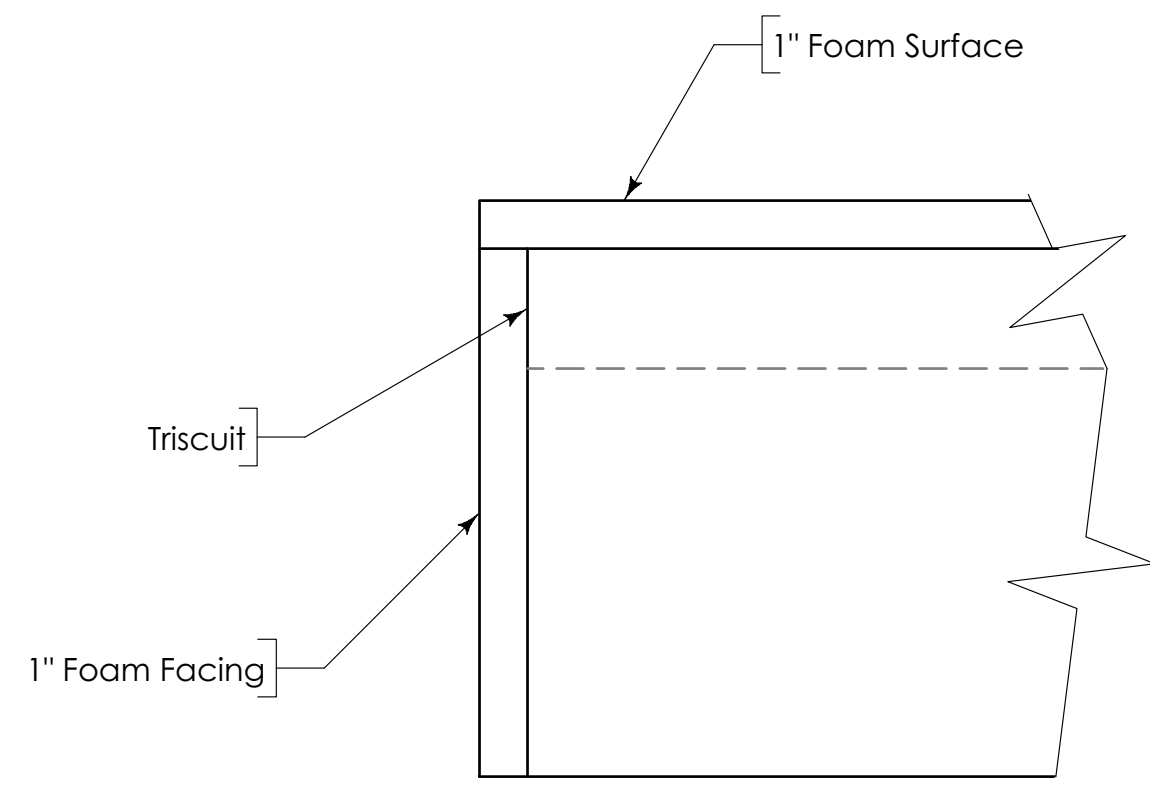
Revised: August 20, 2015

METAMORPHOSES

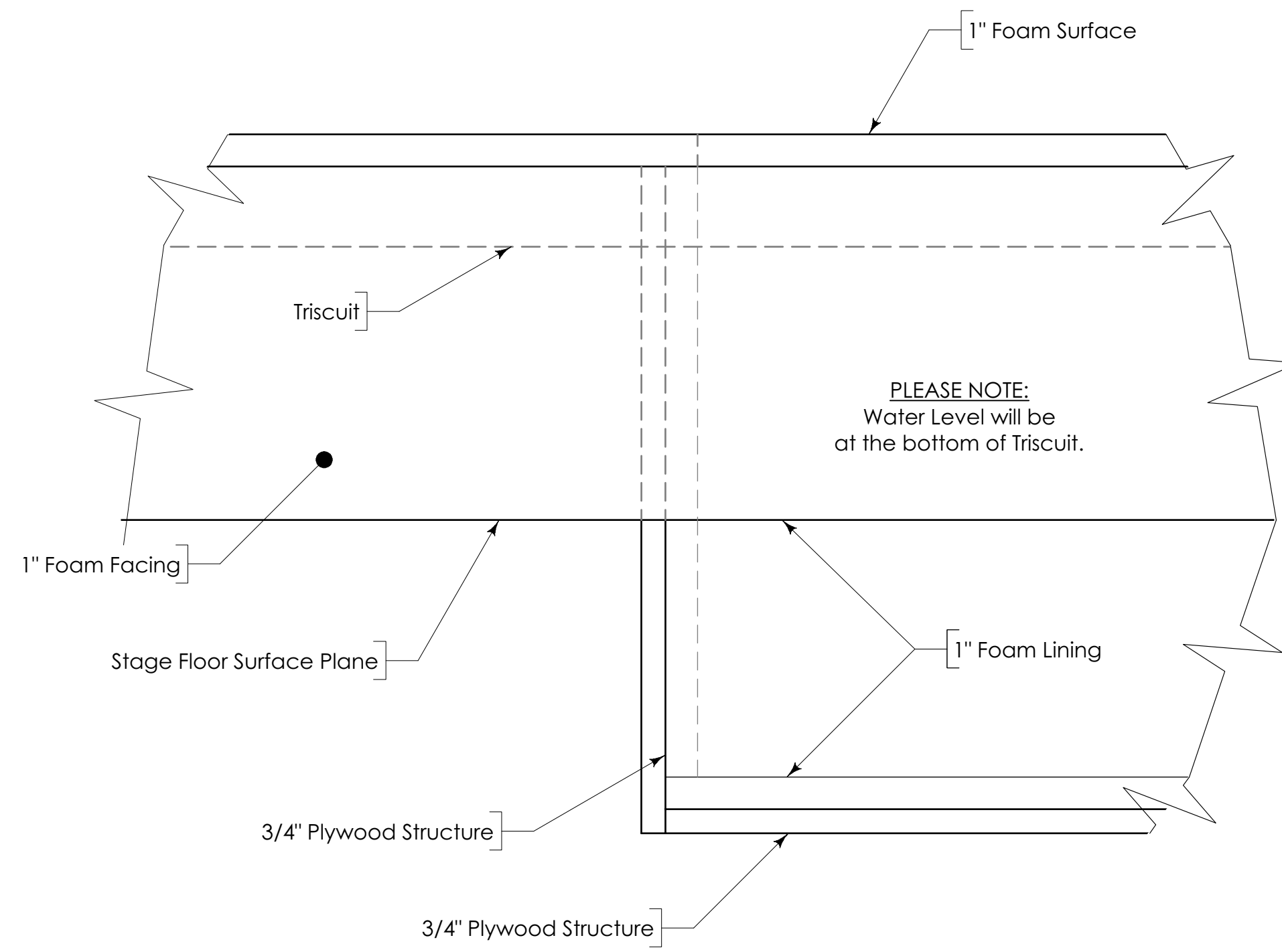
Pool & Surround

Director: Leah Lowe
Scenic Designer: Phillip Franck
Technical Director: Matt Stratton

Opening: Oct. 2, 2015 Drawing Date: July 20, 2015 Scale: 1/2" = 1'-0"

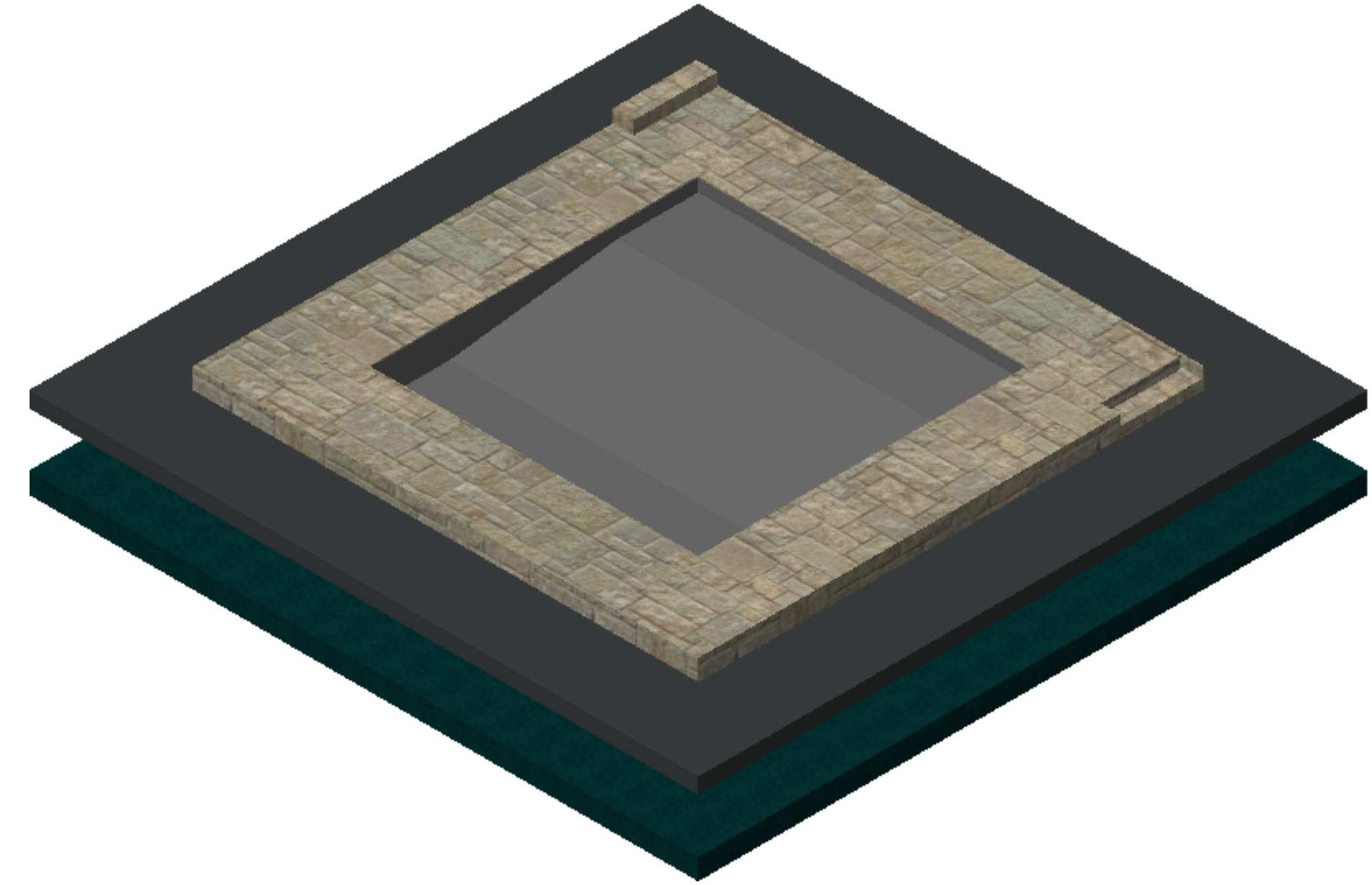


1 Surround Detail
Scale: 3" = 1'-0"

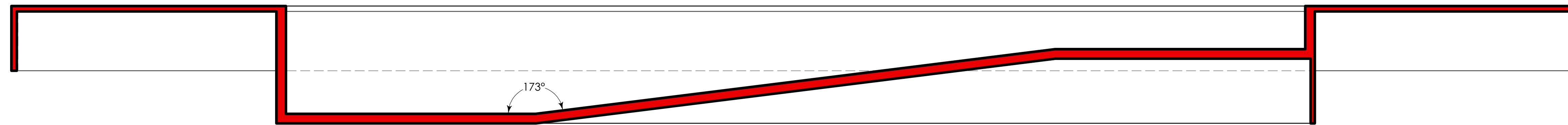


2 Pool Detail
Scale: 3" = 1'-0"

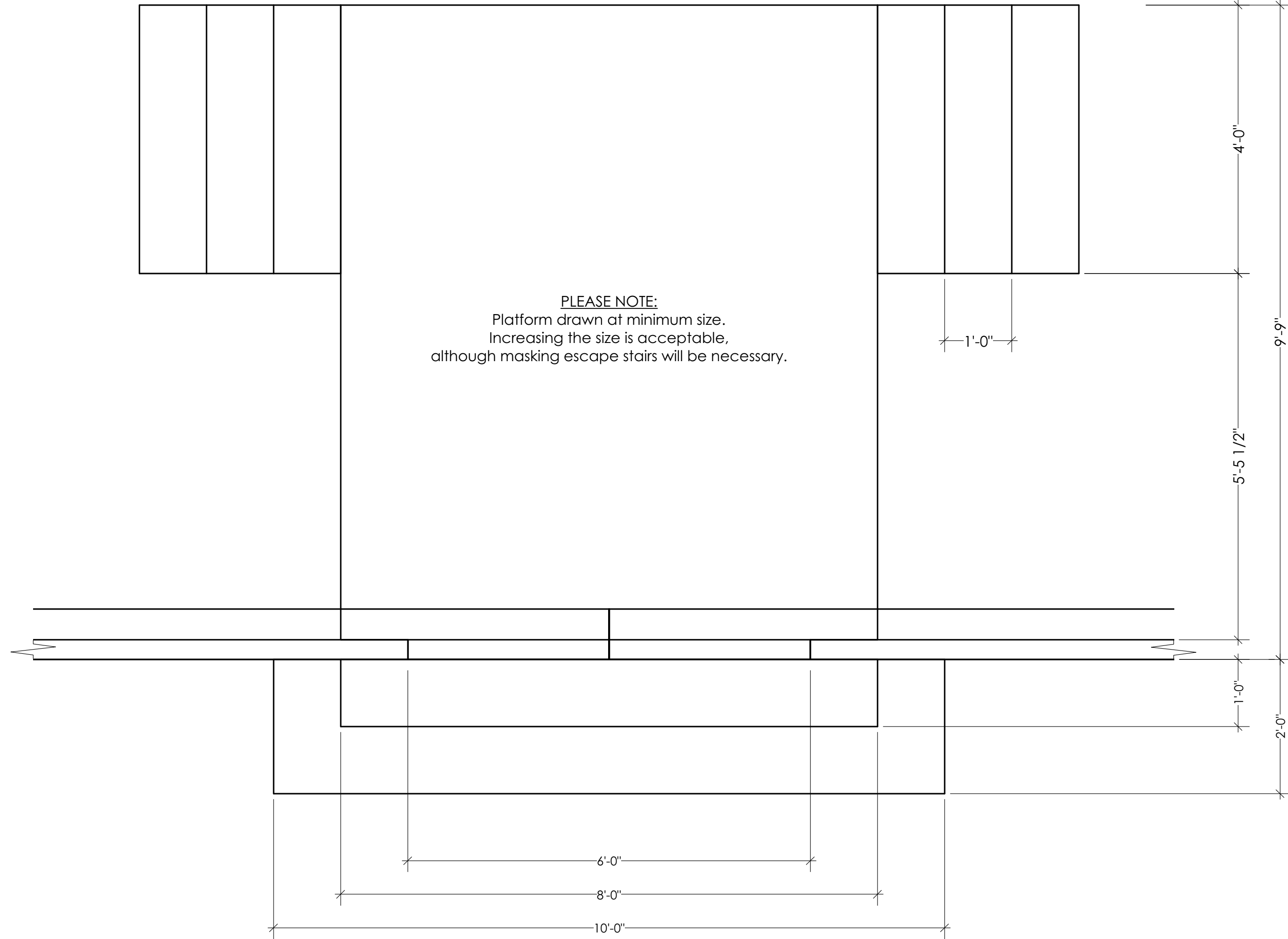
PLEASE NOTE:
Water Level will be
at the bottom of Triscuit.



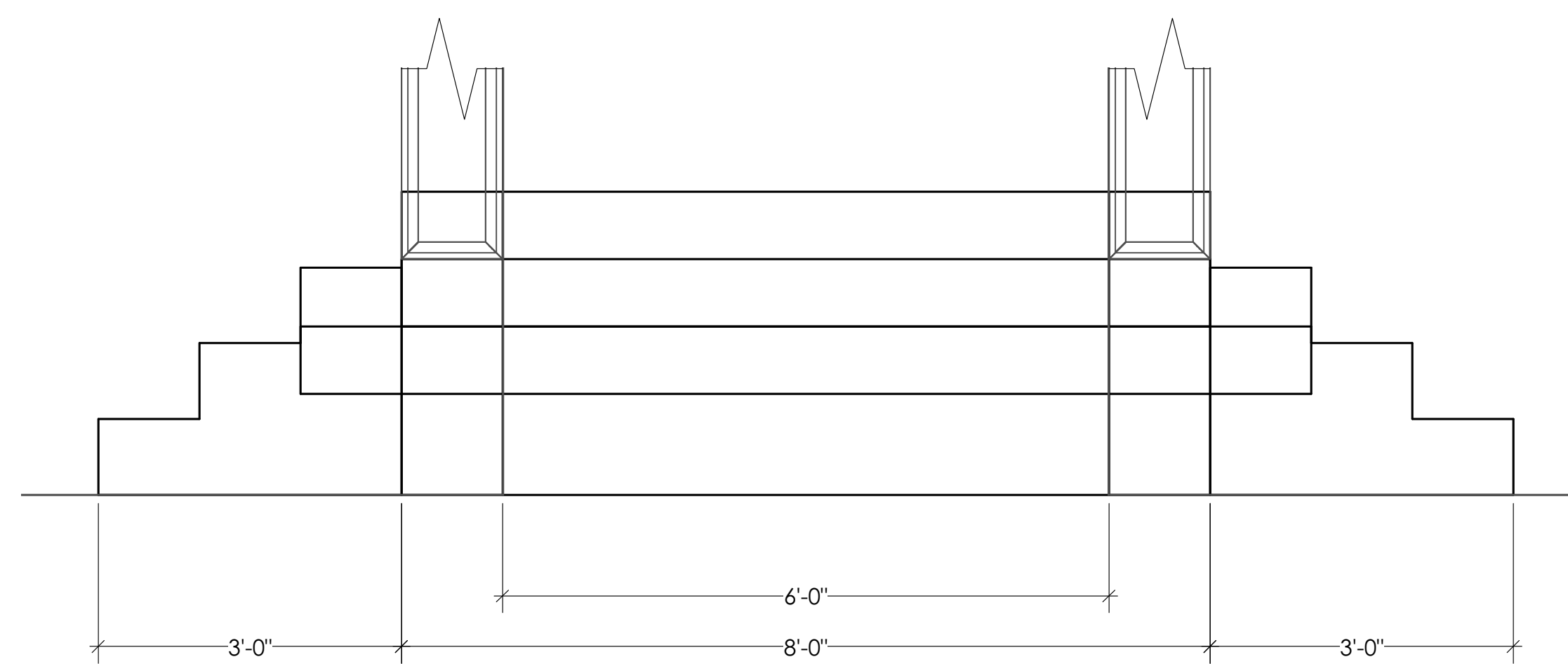
4 Pool & Surround Isometric
Scale: 1/4" = 1'-0"



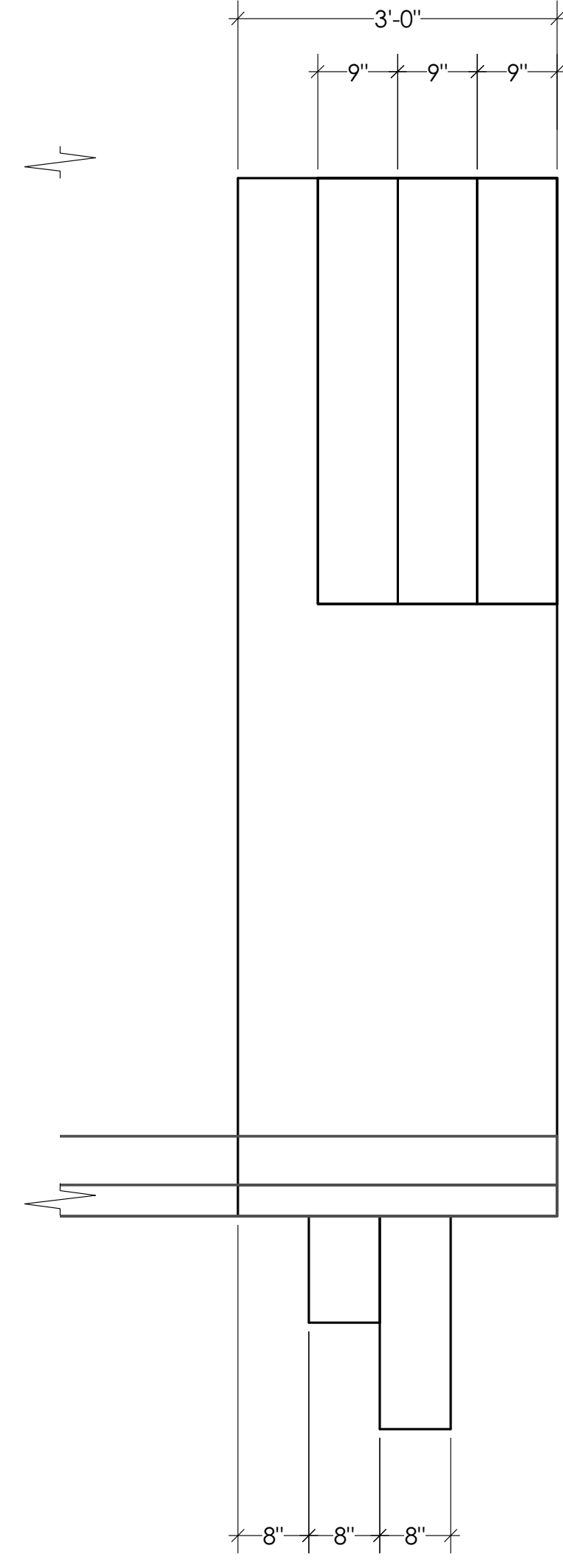
3 Surround and Pool Section
Scale: 1" = 1'-0"



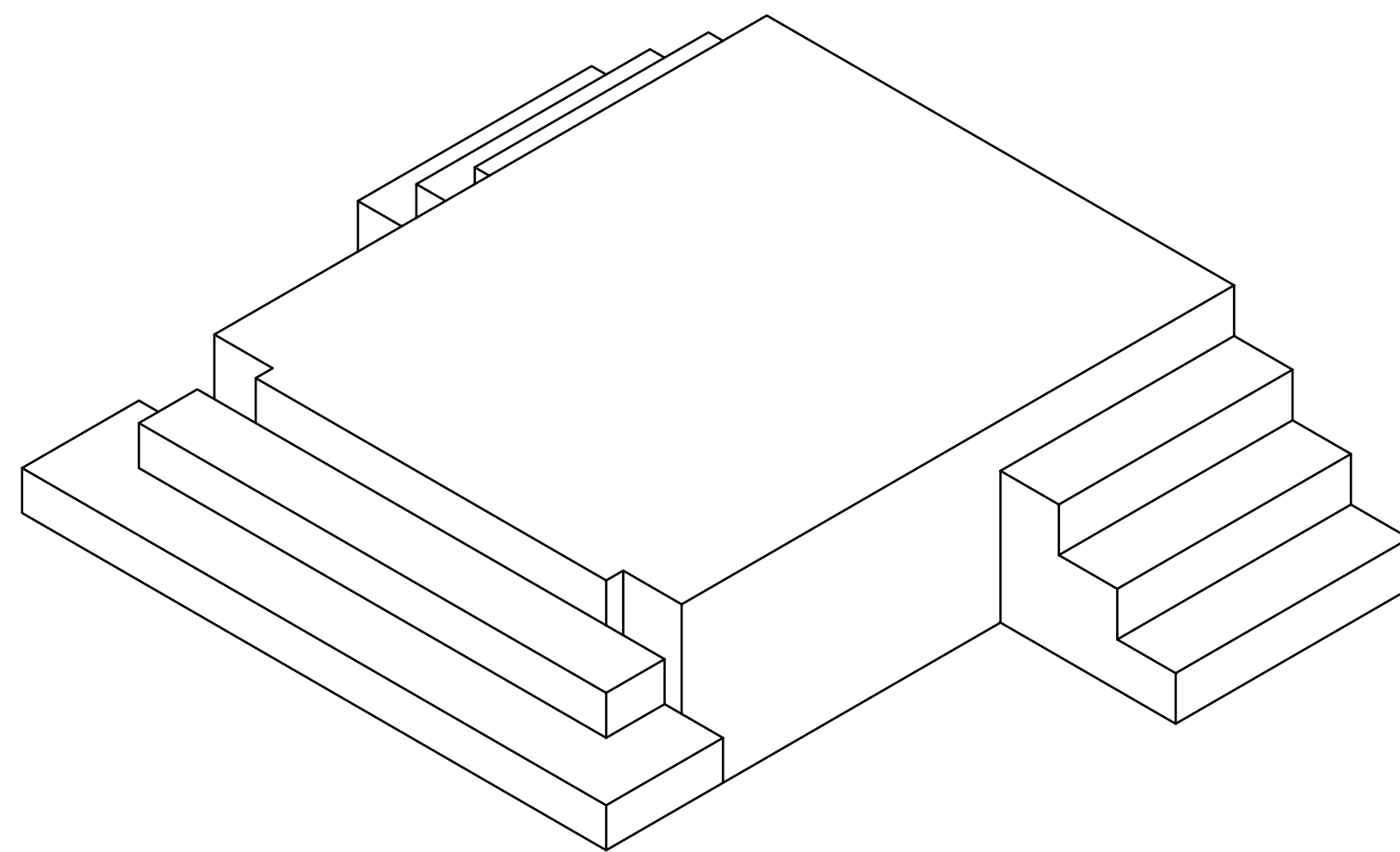
1 US Platform Plan
Scale: 3/4" = 1'-0"



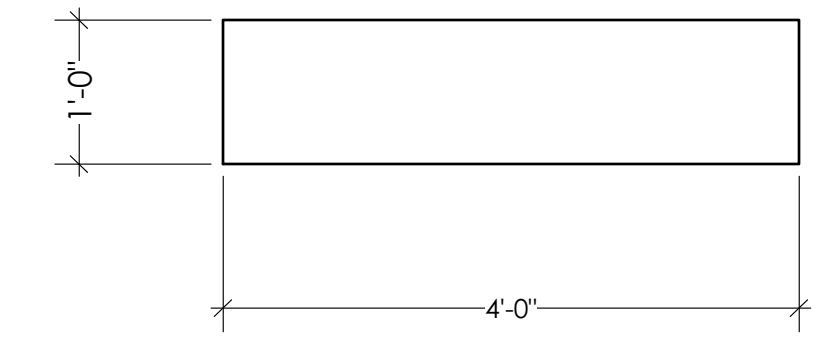
2 US Platform Frt Elev
Scale: 3/4" = 1'-0"



3 US Platform Side Elev
Scale: 3/4" = 1'-0"

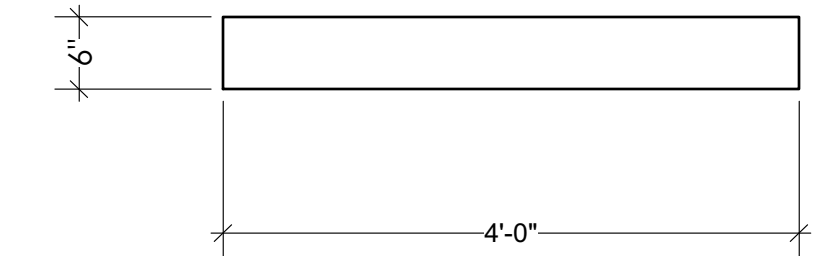


4 US Platform Rt Iso
Scale: 1/2" = 1'-0"

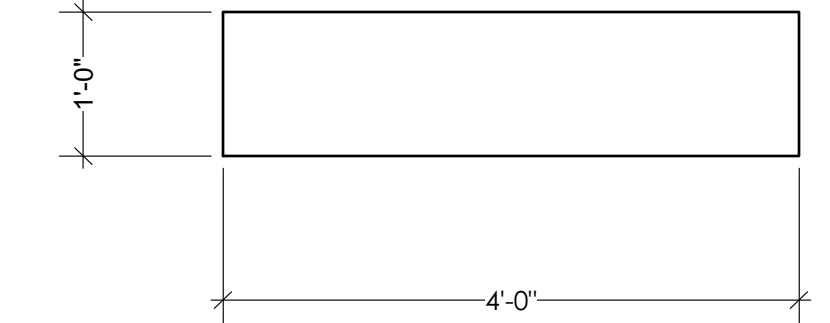


5 DSL/DSR/USL Steps Plan
Scale: 3/4" = 1'-0"

Build 2 Steps for DSL & DSR
Both Sit on Stage Floor
Build 1 Step for USL
USL Step Inserts into Surround

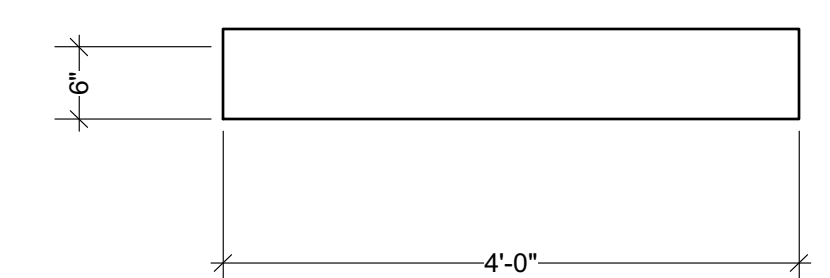


6 DSL/DSR/USL Steps Frt Elev
Scale: 3/4" = 1'-0"

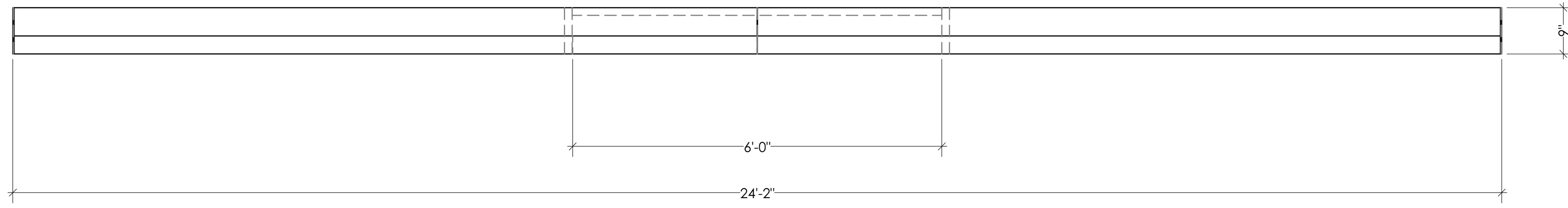


7 USR Step Plan
Scale: 3/4" = 1'-0"

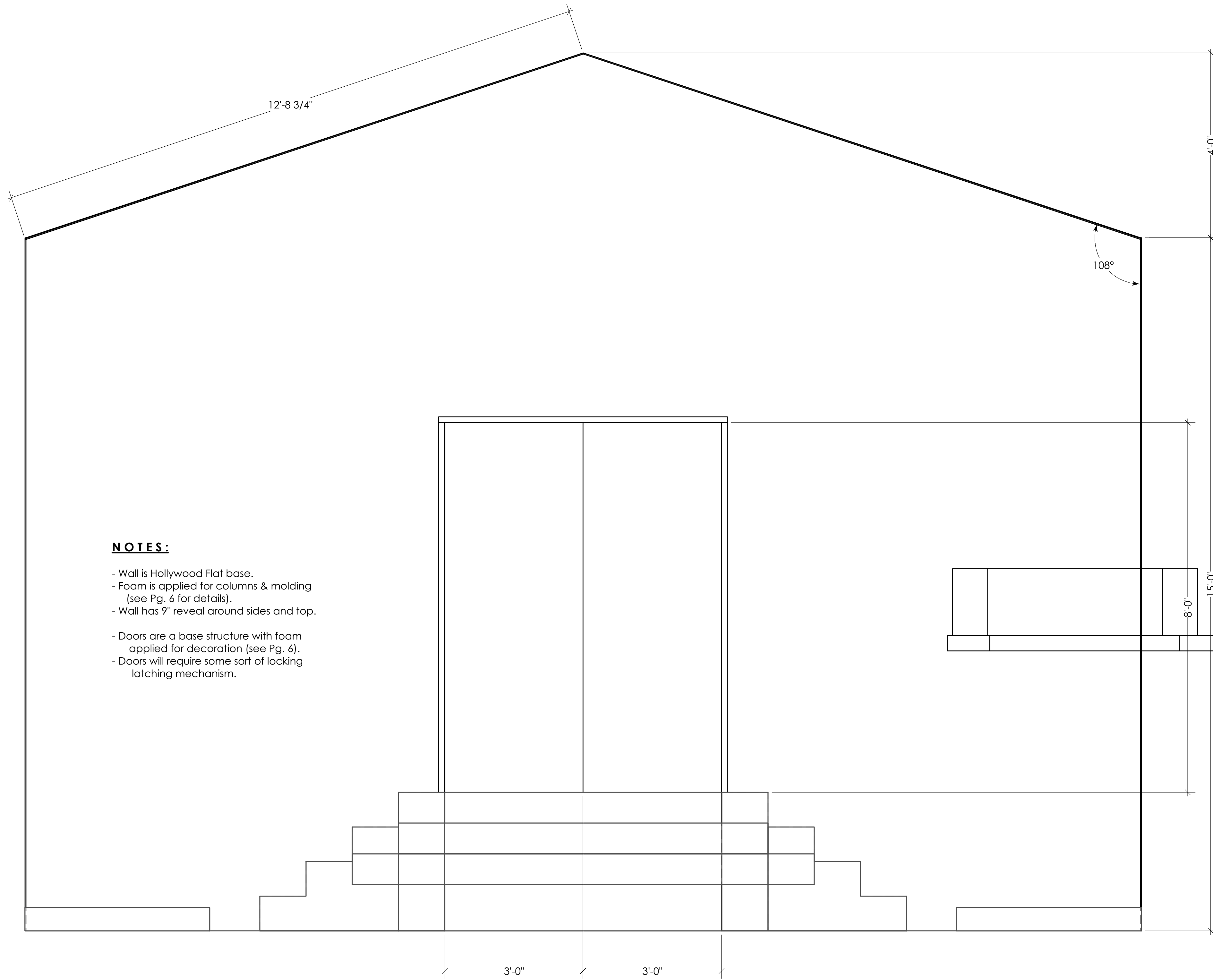
Build 1 Step for USL
Step Sits on Surround



8 USR Step Frt Elev
Scale: 3/4" = 1'-0"



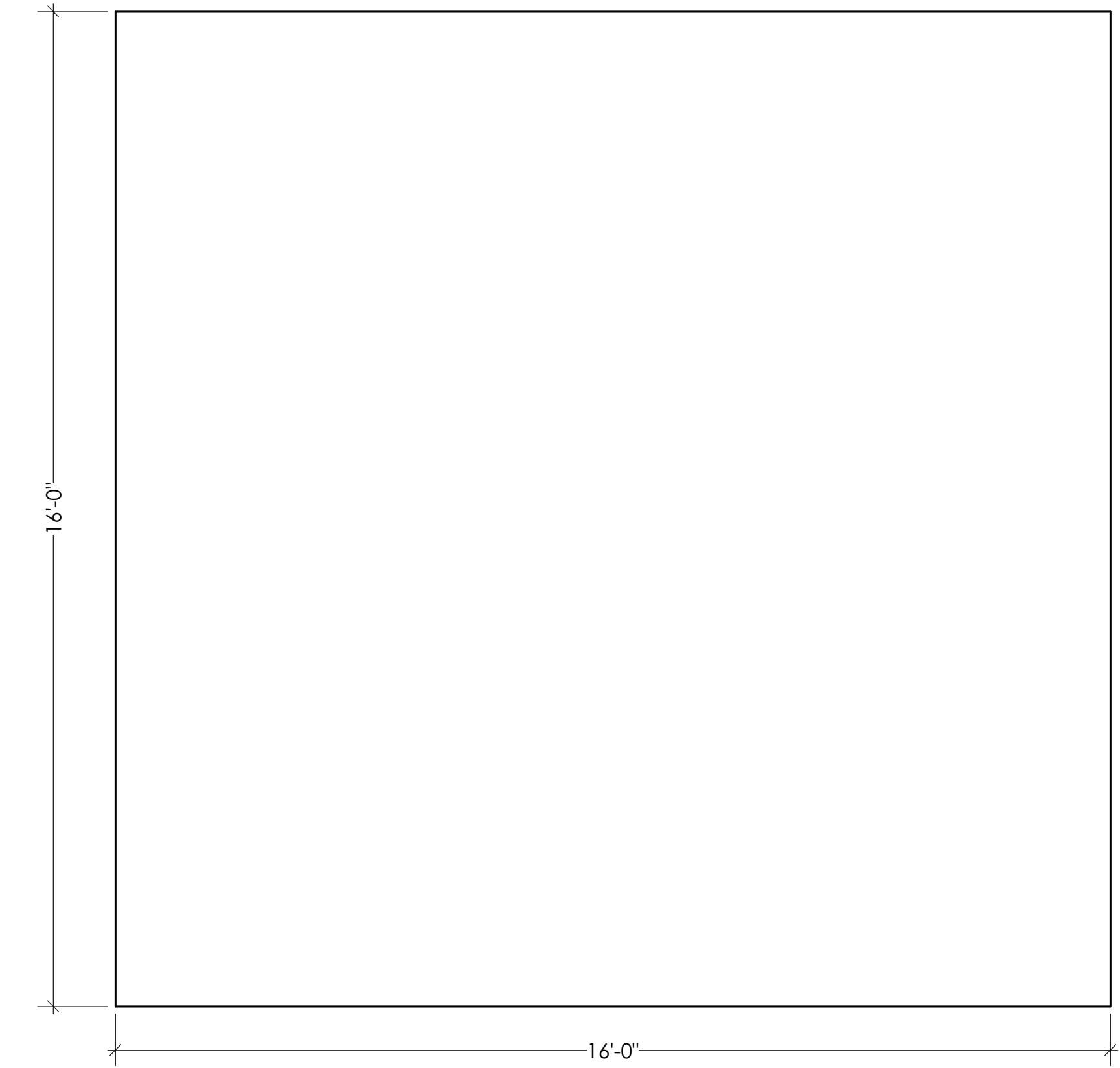
1 DS Wall Plan
Scale: 3/4" = 1'-0"



2 DS Wall Frt Elev
Scale: 3/4" = 1'-0"

NOTES:

- Wall is Hollywood Flat base.
- Foam is applied for columns & molding (see Pg. 6 for details).
- Wall has 9" reveal around sides and top.
- Doors are a base structure with foam applied for decoration (see Pg. 6).
- Doors will require some sort of locking latching mechanism.



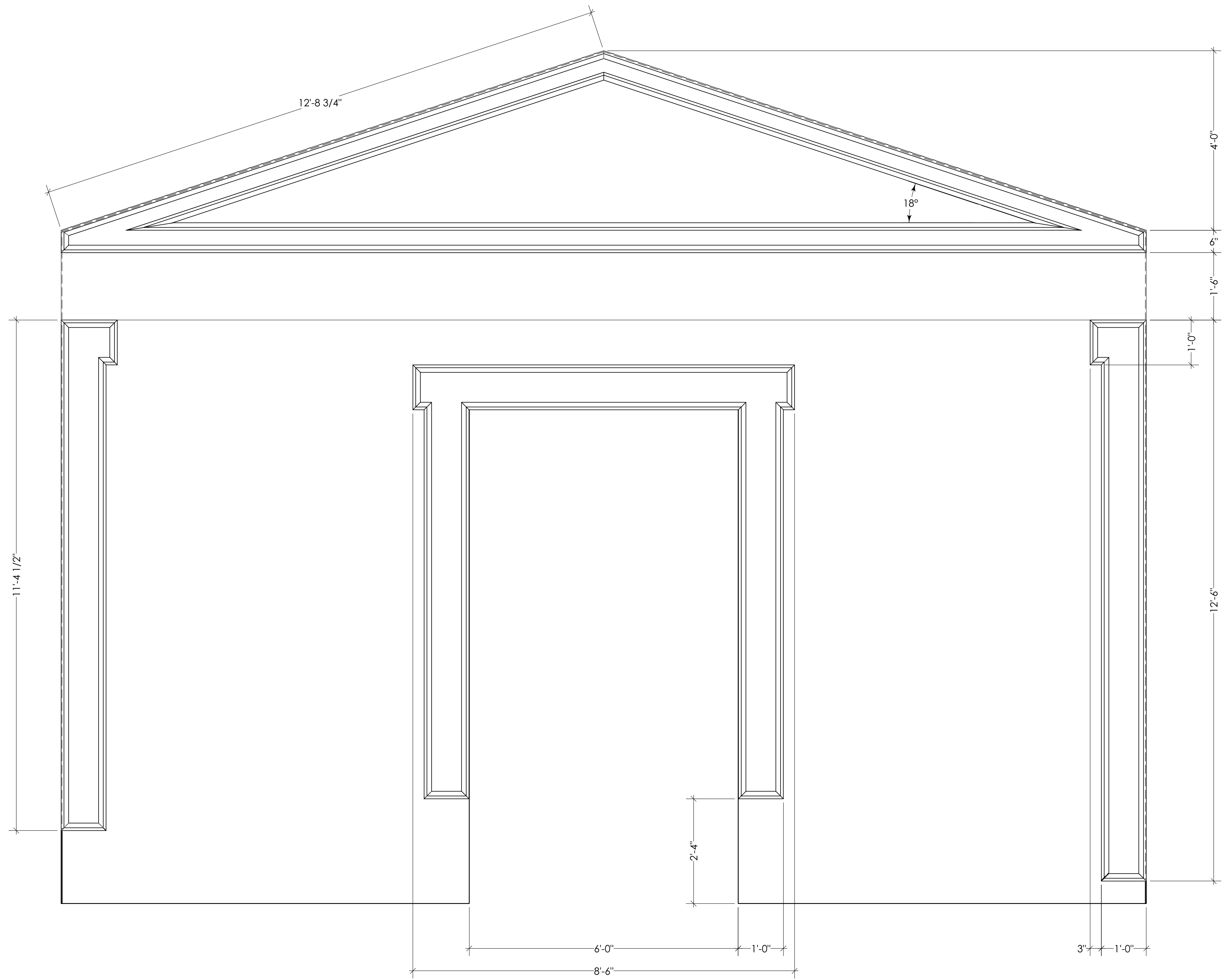
3 US Wall Frt Elev
Scale: 1/2" = 1'-0"

METAMORPHOSES

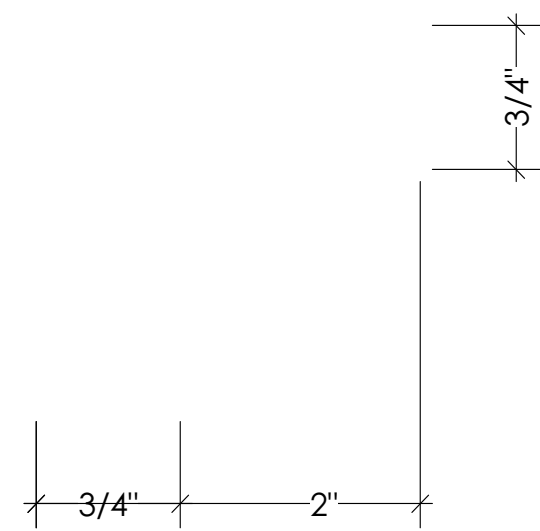
Wall & Doors

Director: Leah Lowe
Scenic Designer: Phillip Franck
Technical Director: Matt Stratton

Opening: Oct. 2, 2015 Drawing Date: August 7, 2015 Scale: As Noted



1 DS Wall Molding Detail
Scale: 3/4" = 1'-0"

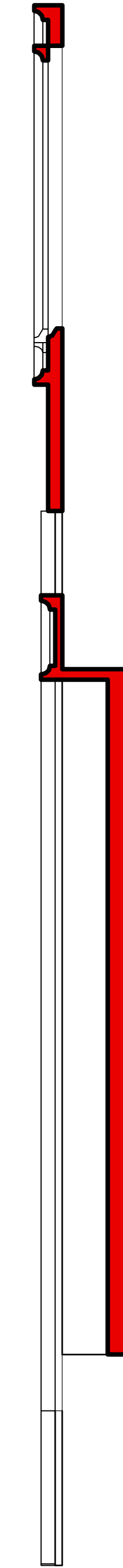


4 Wall Molding Detail
Scale: Actual Size

NOTES:

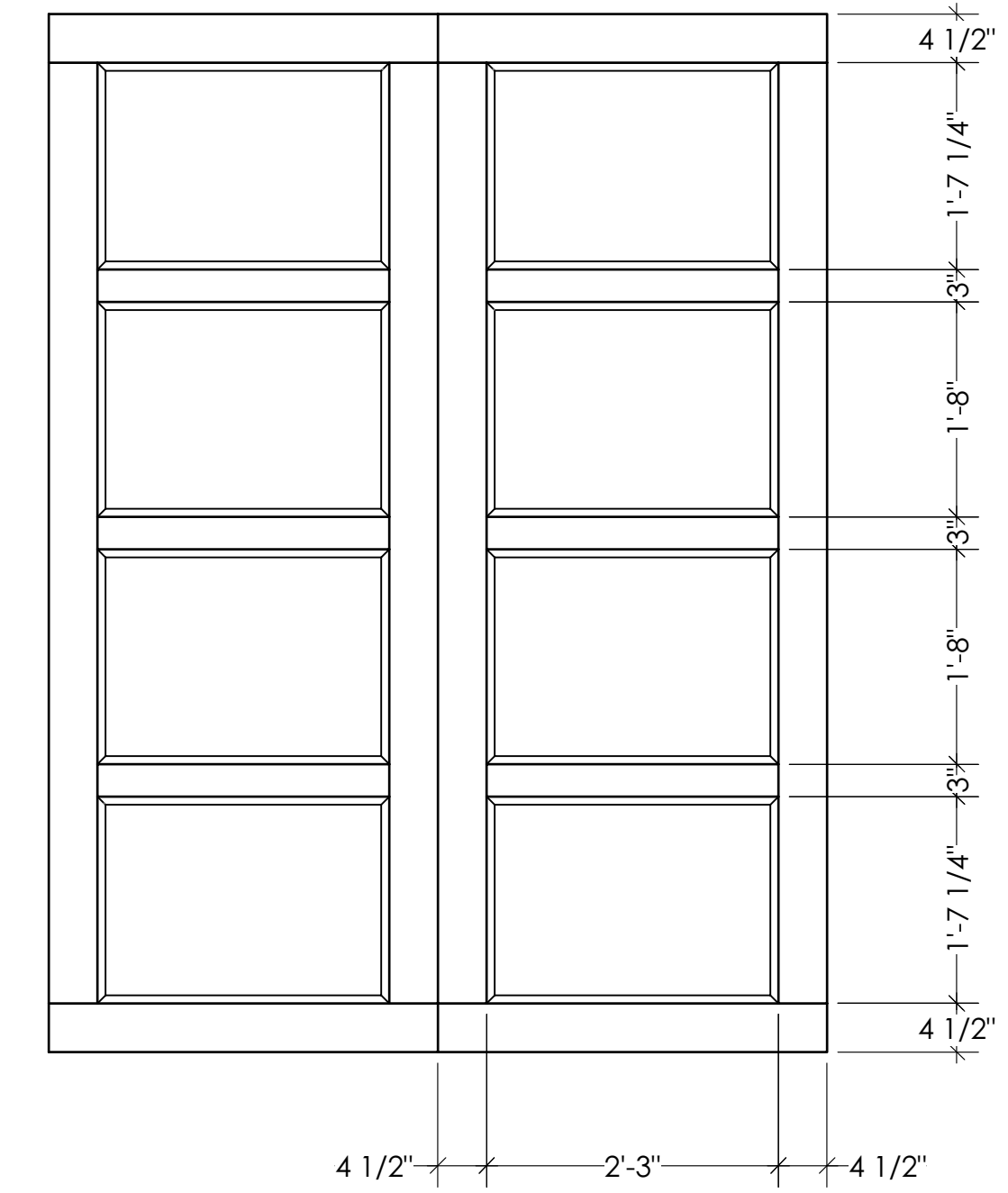
- Pilasters around door and on L & R ends is composed of 1" foam base and 2" foam corner pieces (see Detail 4).
- Flat Frieze area is 2" foam.
- Temple top is 2" foam with 2" corner pieces as on Pilasters.

2 Wall Section
Scale: 3/4" = 1'-0"



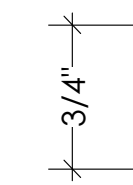
NOTES:

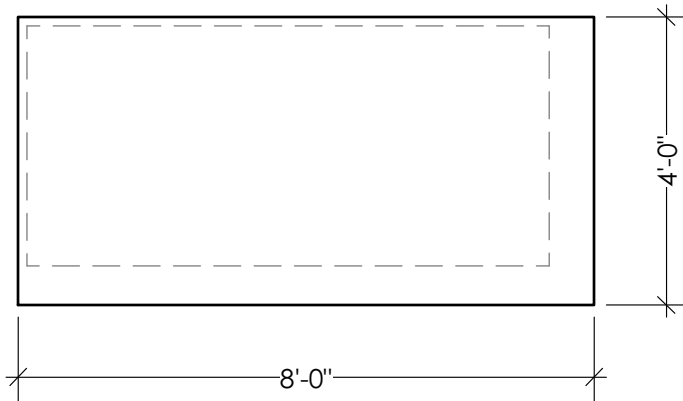
- Doors have 1" foam applied in rectangular pattern.
- Inside each panel is 3/4" quarter round (see Detail 5).
- We may also add rosettes or other decoration in each panelled opening.



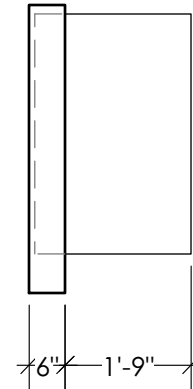
3 Door Molding Detail
Scale: 3/4" = 1'-0"

5 Door Molding Detail
Scale: Actual Size

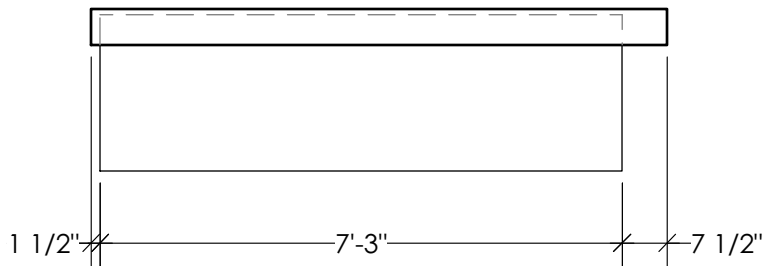




1 God Plat Plan
Scale: 3/8" = 1'-0"



3 God Plat Side Elev
Scale: 3/8" = 1'-0"



2 God Plat Frt Elev
Scale: 3/8" = 1'-0"

Notes:

- This drawing only shows 4x8 platform and facing.
- Platform has homasote top and side facings which cover platform structure.
- Facings are only on downstage and onstage sides.
- Legs are masked by duvytene.