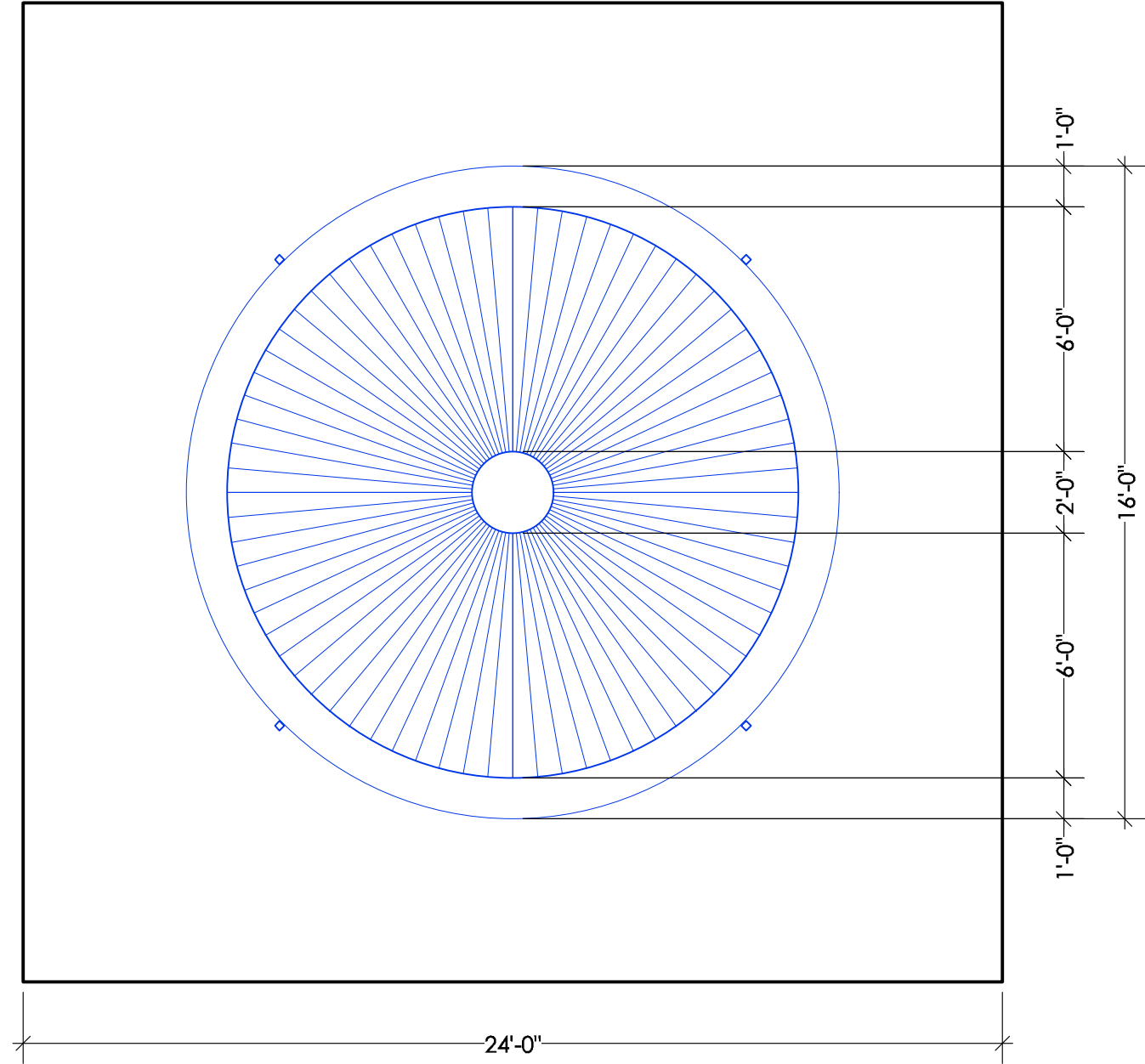


Director: Jessica Malone
 Scenic Designer: Philip Franck
 Technical Director: Matt Stratton

G N I T
 Floor Plan

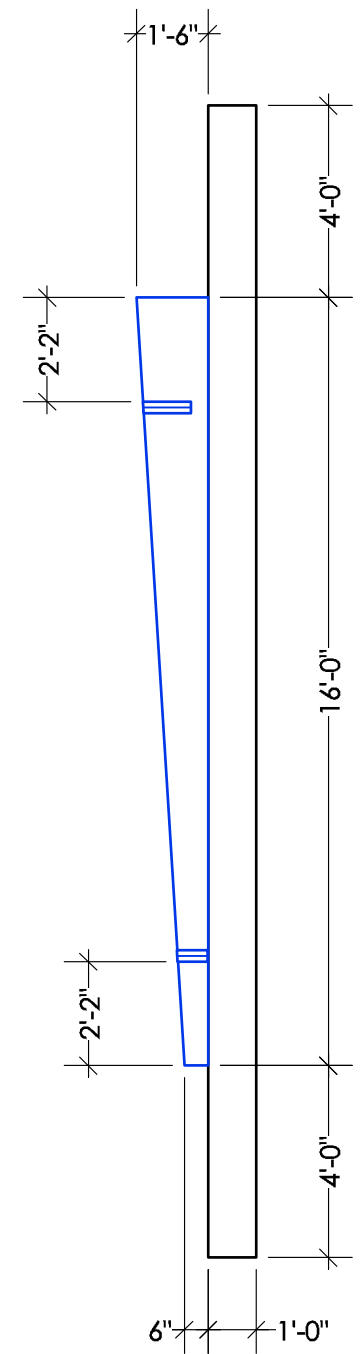
Opening: Feb. 17, 2017 Drawing Date: Dec. 21, 2016 Scale: 3/8" = 1'-0"



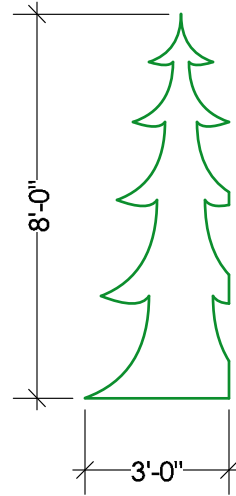
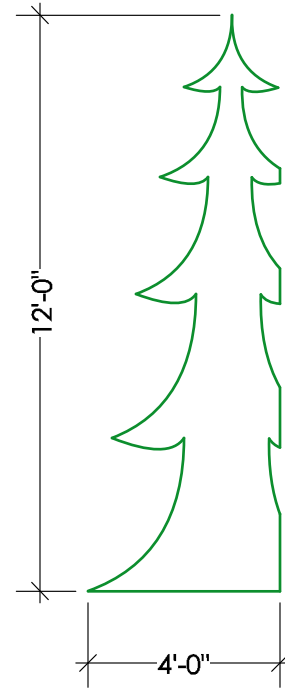
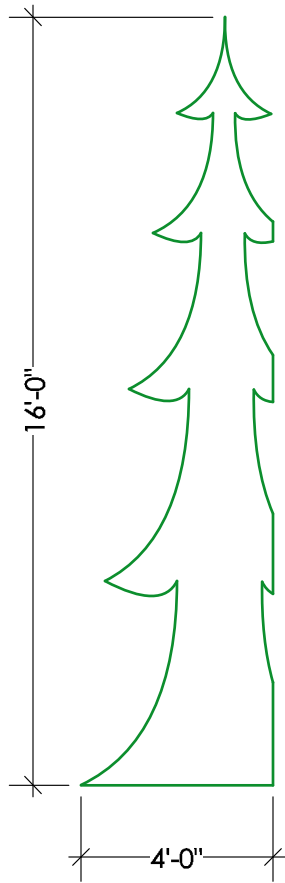
1 Deck Plan View
Scale: 1/4" = 1'-0"

NOTES

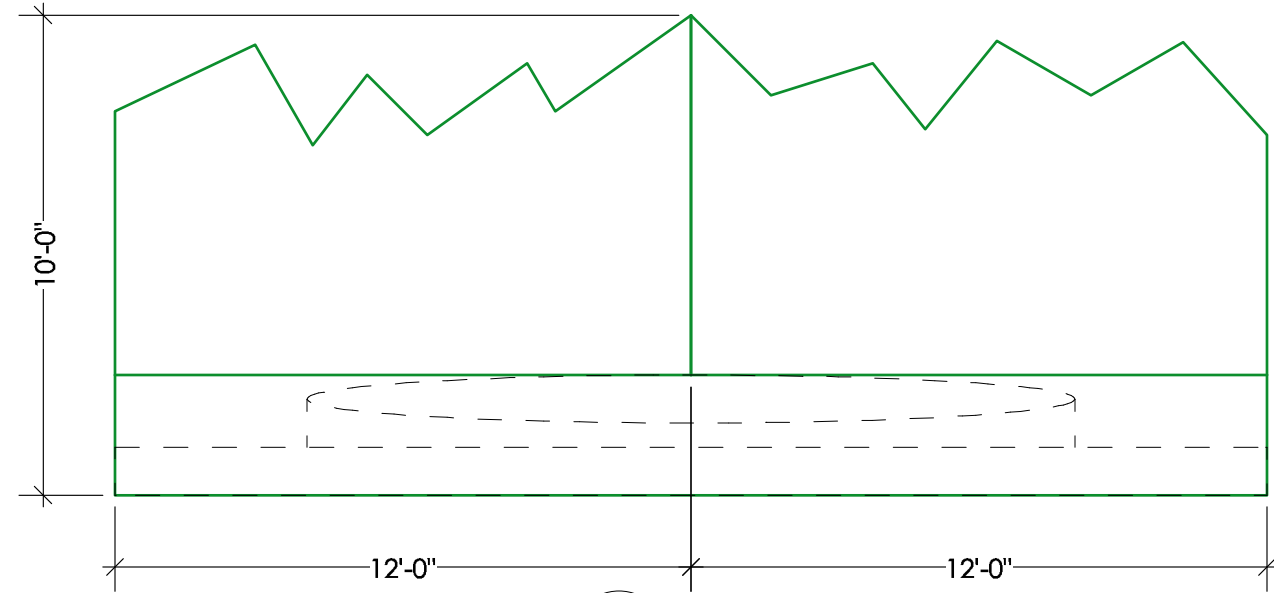
- Rigid Platform Deck with Masonite surface.
- Please put Masonite down prior to installing turntable.
- Turntable: please note handle sockets on outside of turntable.
- Sockets are at 45, 135, 225, and 315 degrees around the perimeter, assuming upstage is 0 degrees.



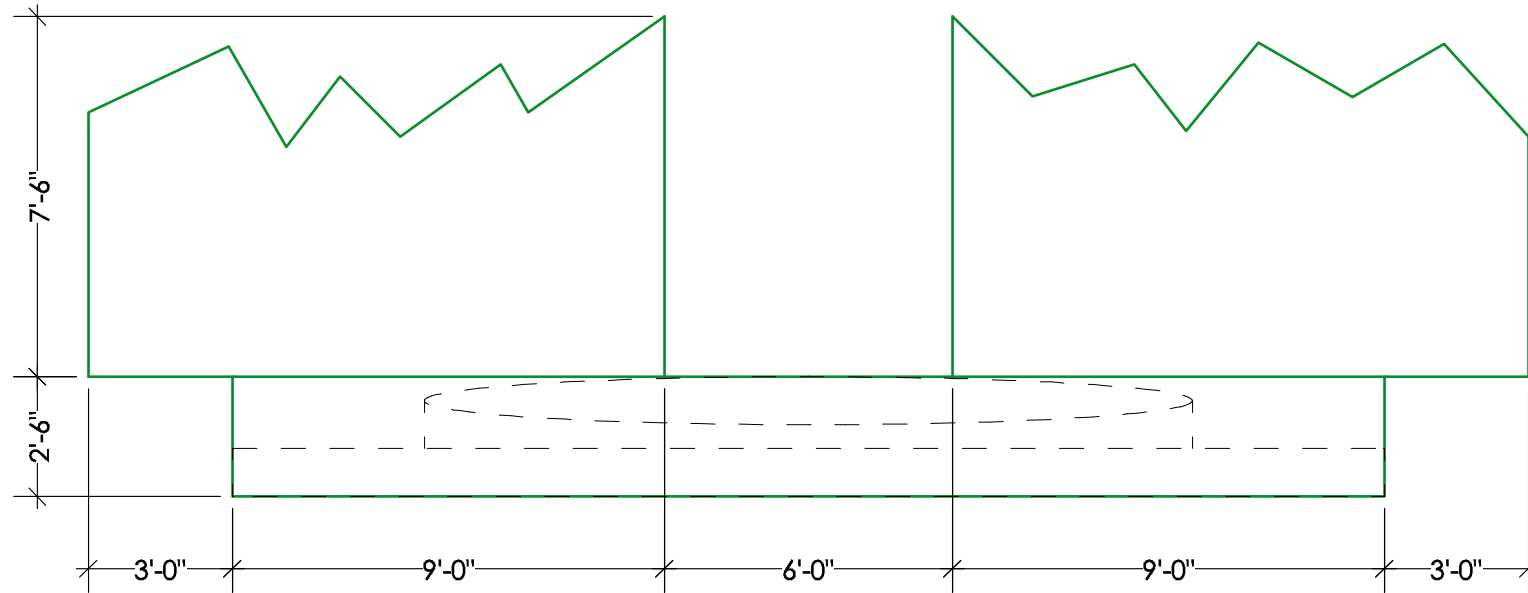
2 Deck Side Elev
Scale: 1/4" = 1'-0"



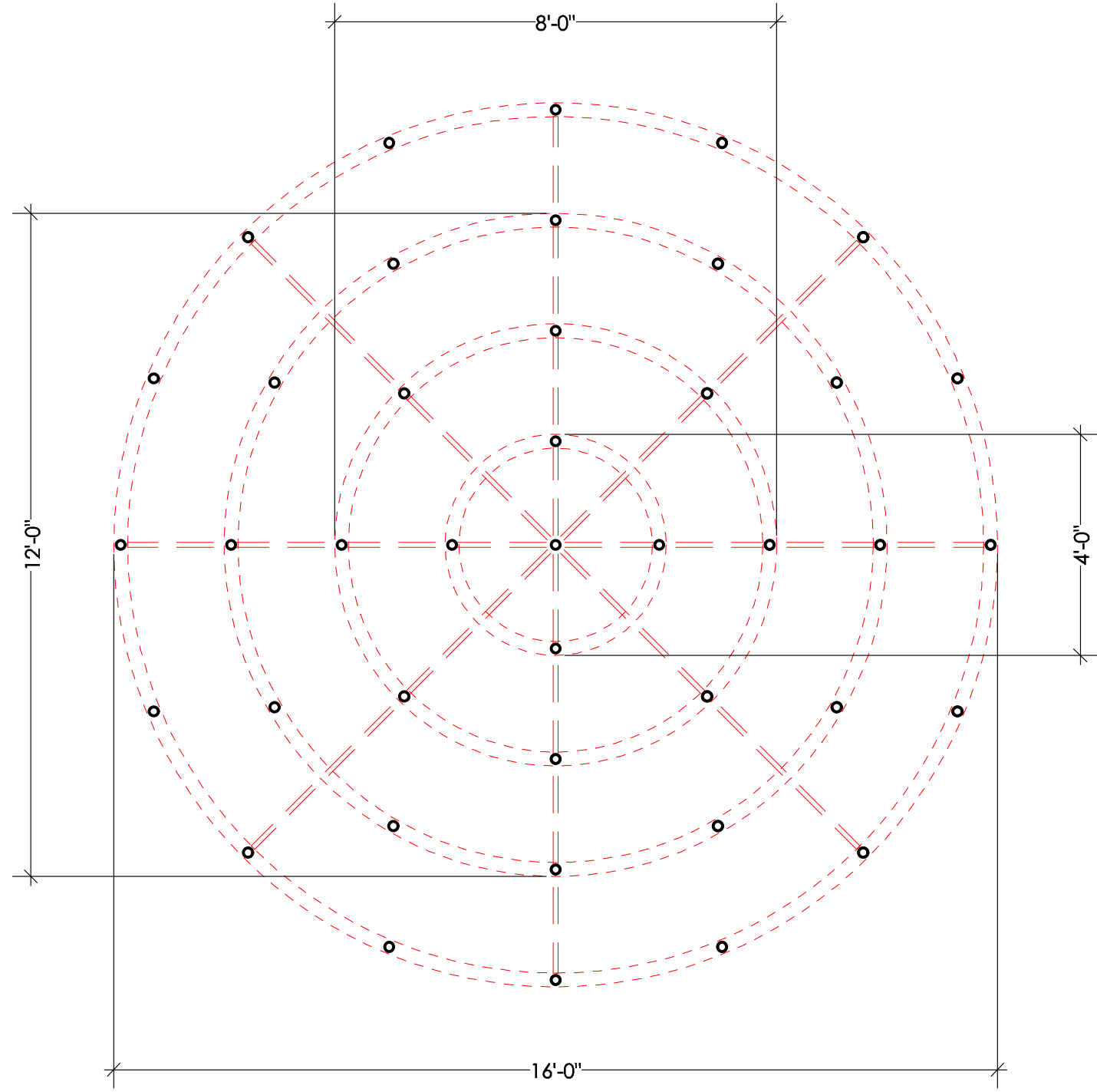
1 Trees Frt Elev
Scale: 1/4" = 1'-0"



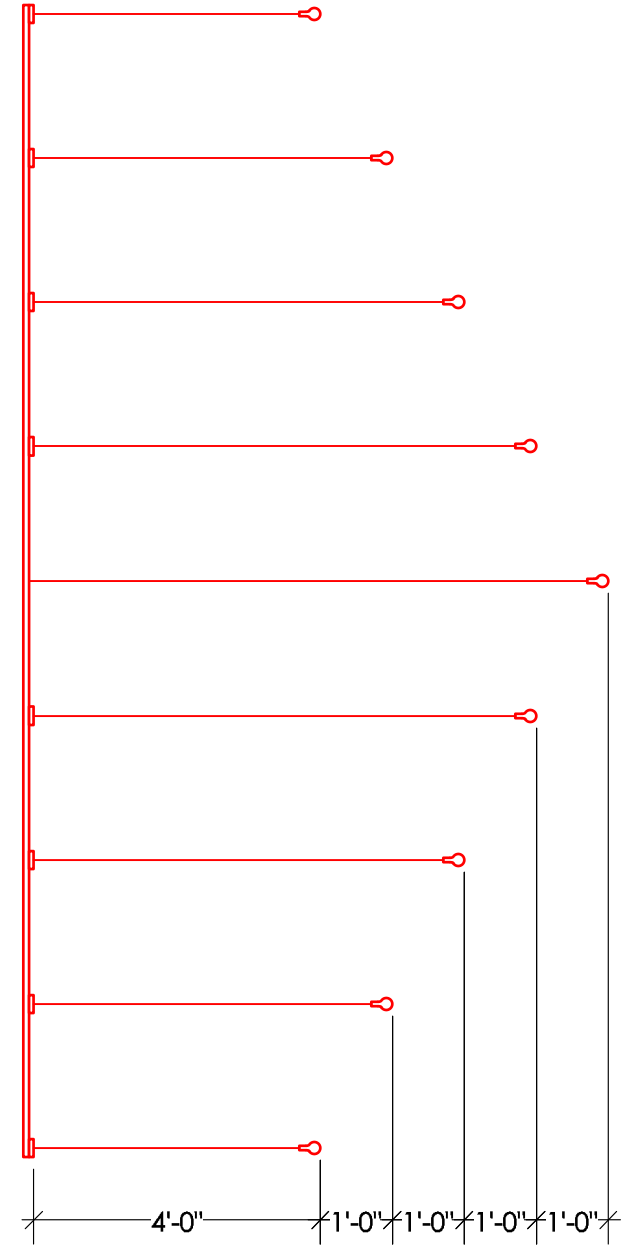
2 Mountains Frt Elev
Scale: 1/4" = 1'-0"



3 Mountains Open
Scale: 1/4" = 1'-0"



1 Light Bulbs Plan
Scale: 3/8" = 1'-0"



2 Light Bulbs Elev
Scale: 3/8" = 1'-0"